



DESCRIPTION

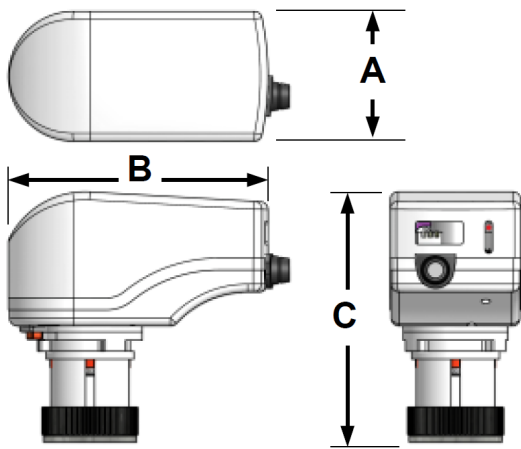
VM000

24V electromotive actuator modulating (0-10V) to drive Pressure Independent Control Valve **EvoPICV series 91, 92 and 93**.

With manual override, status LED indicator, valve stroke detection system and feedback.

76TE adaptor for Fratelli Pettinaroli PICV included.

DIMENSIONS



A = 53
B = 104
C = 92

Dimensions in mm

APPROVALS



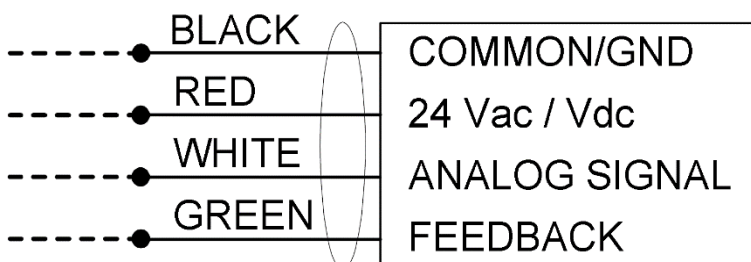
TECHNICAL FEATURES

Type	Modulating 0-10 V / 2-10 V	Ambient temperature	2° / 50°C
Additional control signal	4-20 mA with external cable R=500 Ω	Medium temperature	2° / 120°C
Supply voltage	24V ±10% AC/DC – 50/60 Hz	Relative humidity	5 – 95% non condensing
Power consumption	5 VA	Degree of protection	IP54 equivalent to NEMA 3R
Stroke	Up to 6.5 mm, self-adjustable	Weight	0.4 kg
Feedback	0-10 V / 2-10 V	Cable	4 wires, 0.8 mm ² [18AWG]
Torque	120 Nm	Cable length	1 m
Running time	18.5 s/mm – 120 s for 6.5 mm	Direction	Reversible
Storage temperature	-30° / + 50°C		

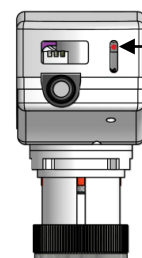
Electromotive actuators **VM000 - 24V** are used to make modulating control systems, managed by BMS handling 0(2)-10 V voltage signal or 0(4)-20 mA current signal, of HVAC installations where **EvoPICV 91, 92 and 93** balancing valves are fitted.

For further information about electrical connections, see the specific section.

CONNECTION SCHEMES

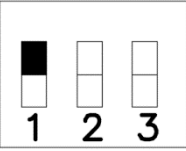
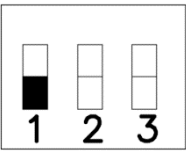
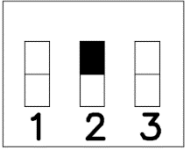
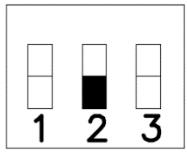
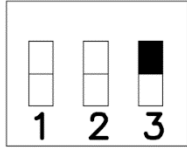
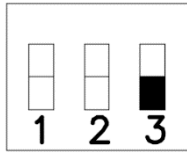


LED OF STATUS INDICATION



LED status
Normal: Flash 0.5 s ON / 10 s OFF
Error: Flash 0.2 s ON / 0.2 s OFF
Auto stroke: Continuous ON

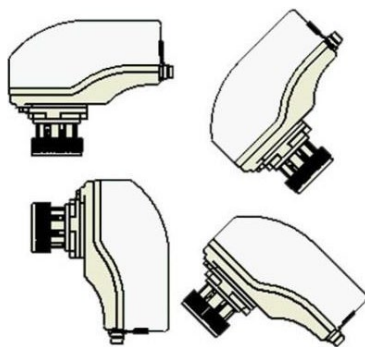
SETTINGS

DIP-Switch 1: <u>DIRECTION</u>	DIP-Switch 2: <u>ANTI-STICK</u>	DIP-Switch 3: <u>SIGNAL TYPE (CONTROL AND FEEDBACK)</u>
OFF  ON  OFF: EvoPICV valves normally open at 0 Vdc	OFF  ON  OFF: deactivated	OFF  ON  OFF: 2-10 V ON: 0-10 V

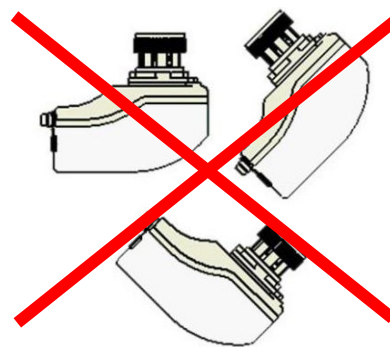
INSTALLATION

It is highly suggested to install **VM000** electromotive actuators in safe orientation that means potential leakage from the stem does not damage them. We recommend to provide sufficient clearance for potential service and replacement. Thus, any installation at more than 90° from horizontal must be avoided. A clearer overview is given by following pictures:

CORRECT

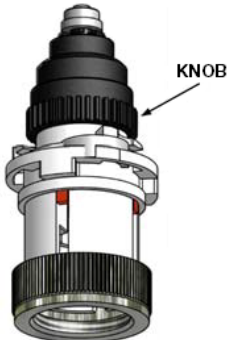


UNCORRECT



Assembly

ACTUATOR STEM



1. Put and tighten the **76TE** adaptor onto the valve and then the actuator stem (previously removed from actuator) and screwed by hand.
2. Rotetate clockwise the black knob for manual override (no forcing) to opn the valve
3. Manually set the knob to test the right loop operation
4. After the test, assembly the actuator by putting it on the stem and turn 30° clockwise till you hear a click

To disengage the actuator, press the relaese button while turning IT counter cloickwise 30°. USE ONLY ADAPTOR AND STEM SUPPLIED WITH THE ACTUATOR. No insulation above the dotted red line.